

## CE Declaration of Conformity

Fatar Srl  
Zona Ind.le Squartabue  
62019 Recanati MC Italy

declares that this product complies with the following European Directives and related standards:

<b>2006/95/EC</b>		Low Voltage Directive
<b>EN 60065:</b>	<b>1998</b>	Safety Requirements for Audio, Video and audio-visual apparatus for professional use
<b>2004/108/EC</b>		Electromagnetic Compatibility Directive (EMC)
<b>EN 55103-1/E1:</b>	<b>1997</b>	Product Standard – Audio, Video and audio-visual apparatus for professional use, Electromagnetic compatibility of audio equipment: Emission
<b>EN 55103-2/E1:</b>	<b>1997</b>	Product Standard – Audio, Video and audio-visual apparatus for professional use, Electromagnetic compatibility of audio equipment: Immunity

Technical files are maintained at corporate head-quarter of Fatar Srl, 62019 Recanati MC, Italy.

Above declarations are void by modifications of the device without approval, or unauthorized servicing.



### RoHS Conformity

This is to certify that the product is RoHS compliant and meet the requirements and specified limits of restricted substances according to 2002/95/EC directive.



### WEEE

This product is marked with the WEEE symbol to comply with the European Union's Waste Electrical & Electronic Equipment (WEEE) Directive 2002/96/EC. The symbol indicates that this product should not be treated as household waste. It must be disposed and recycled as electronic waste. Please assist to keep our environment clean.



## User Guide

### SL PEDAL

FATAR Srl  
Zona Ind.le Squartabue  
62019 Recanati MC  
ITALY

[www.fatar.com](http://www.fatar.com)


© by FATAR Srl

No part of this manual may be reproduced or transmitted in any form or by any mean without prior consent of the copyright owner.



## Welcome!

Thank you for choosing this foot switch / sustain pedal. You have obtained a state-of-the-art product made by the renowned manufacturer Studiologic by Fatar.


 **Please read the entire user guide thoroughly and keep it for further reference.**


## Intended use


This product is designed to operate as foot switch / sustain pedal for electronic musical instruments only.

Unauthorized conversion and/or modification of the device are inadmissible because of safety and approval reasons (CE). Any usage other than described above is not admitted and can damage the product or the connected device and can cause risks such as short circuit, fire, electric shock etc.

## Important Safety Instructions

 **Never plug the device to high voltages, such as mains. This may cause risks of severe injury and death.**

 **This device is designed to be operated by foot, not by hand. To avoid risk of bodily injury, keep your hands and fingers away from moving parts (pedal lever).**

 **Electronic devices and accessories must be stored away from children.**

Do not use the device for other purposes than as volume / expression pedal for electronic musical instruments. Plug the device only to sockets on your musical device which are labelled with "Expression", "Pedal", "Foot Controller" or similar.

Water / moisture:

To reduce the risk of fire or electric shock, do not expose the device to water or moisture. If the device is moved from a cold place to a warm room, condensation may occur inside. To avoid damage please allow the device to reach room temperature before using it.

## Warranty

Every Fatar Studiologic product has been carefully manufactured, calibrated and tested. All this enables a period of warranty. Damages due to incorrect transport, mounting or handling are not covered by this warranty. All this is based on general terms and condition of the local distributor / FATAR Srl, Italy. Compensation of more than the price of the device is excluded.

## State of the Art

To ensure maximum quality, all devices of Studiologic by Fatar are always engineered to be state-of-the-art products. Therefore updates, modifications and improvements are made without prior notice. Technical specification and product appearance may vary from this user guide.

## Specifications



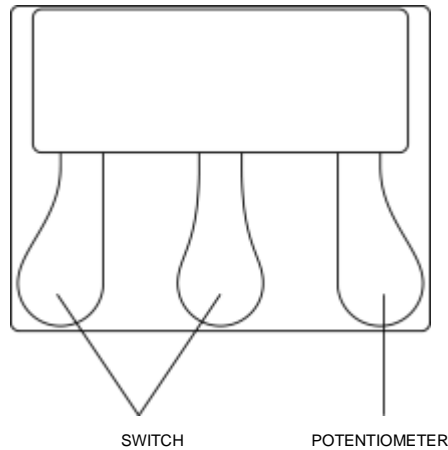
Solid Piano style sustain pedal.

Connector: 1x TRS jack, 6,3mm (1/4').

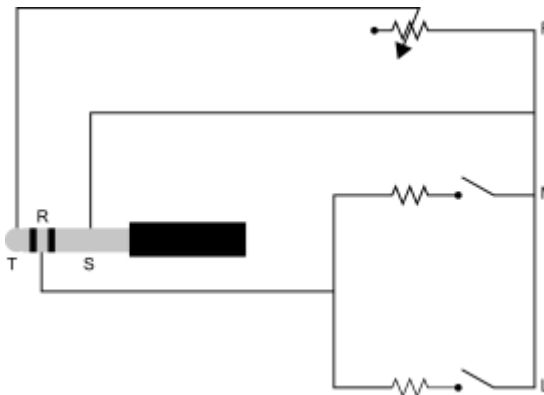
Cable length: 2 m

Weight: 0,65 kg

Dimensions: 26,2 x 22 x 6,5 cm (L x W x H).



## Schematics



## Compatibility

This product is compatible with most of the Studiologic instruments. Please check the full list at:

<http://studiologic-music.com/support/accessories-compatibility/>

Compatibility to other brands cannot be assured due to different wiring and hardware standards employed.

Studiologic excludes the liability for damages, which derive from using the pedal with devices not declared compatible.

## Setting up

Plug the connector of your foot switch / sustain pedal to a socket of your MIDI keyboard, sound expander or digital Piano.

Please refer to the manual of your MIDI device or digital Piano, if the pedal is supported. In the manual of the MIDI device you will also find remarks on which parameters you can control with the foot switch /sustain pedal

## Operation

While playing your keyboard, press the pedal to apply the selected effect. The pedal returns to its initial position when released.

## Cleaning / Maintenance

Never use any abrasive detergent, which may damage the surface. We recommend a slightly moist micro-fibre cloth.

Do not open the chassis. There are no user serviceable parts inside.